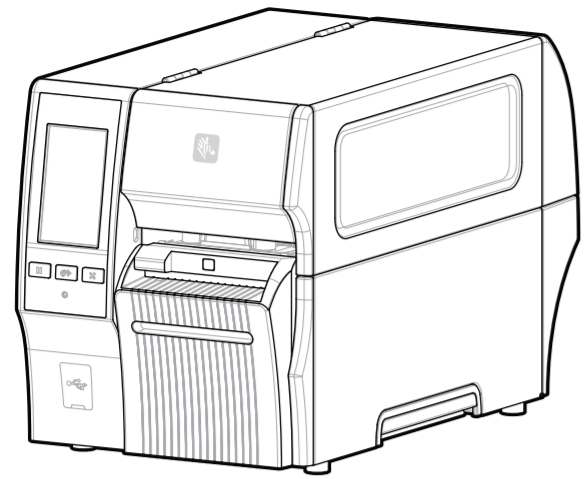


# ZT411

## Quick Start Guide



Zebra Technologies | 3 Overlook Point | Lincolnshire, IL 60069 USA  
zebra.com

ZEBRA and the stylized Zebra head are trademarks of Zebra Technologies Corp., registered in many jurisdictions worldwide. All other trademarks are the property of their respective owners. © 2024 Zebra Technologies Corp. and/or its affiliates. All rights reserved.

### 1 Install the Printer Driver

**IMPORTANT**  
Go to [zebra.com/zt411-info](https://zebra.com/zt411-info)  
and install the driver for your printer.

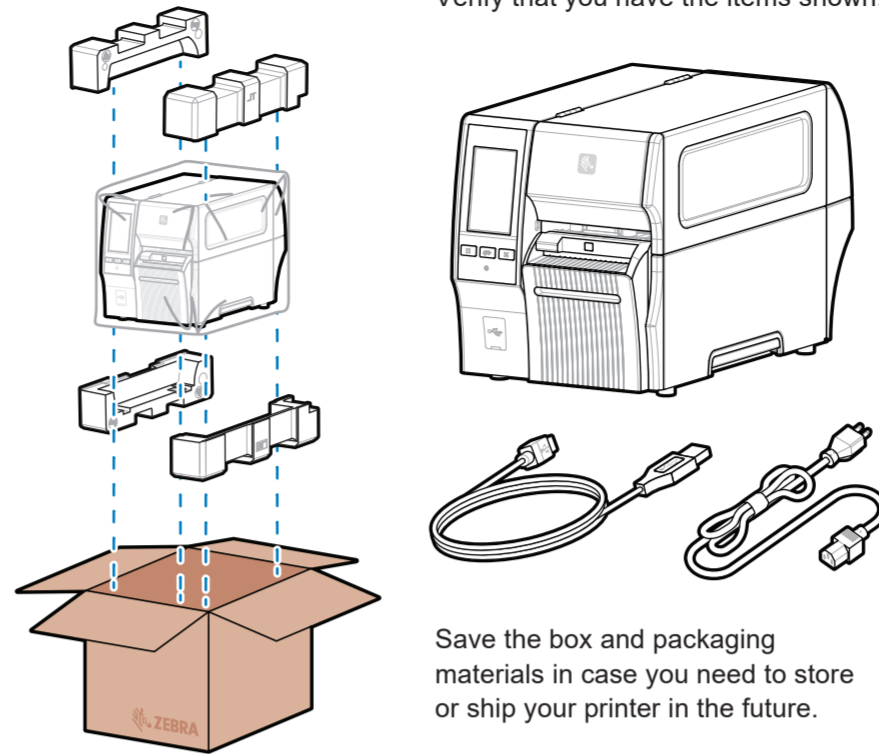


[zebra.com/zt411-info](https://zebra.com/zt411-info)



The driver **MUST** be installed before connecting the printer to the computer, or it will cause complications. If your Microsoft Windows-based computer does not have the driver installed for this printer, download it from [zebra.com/zt411-info](https://zebra.com/zt411-info) and install it before continuing.

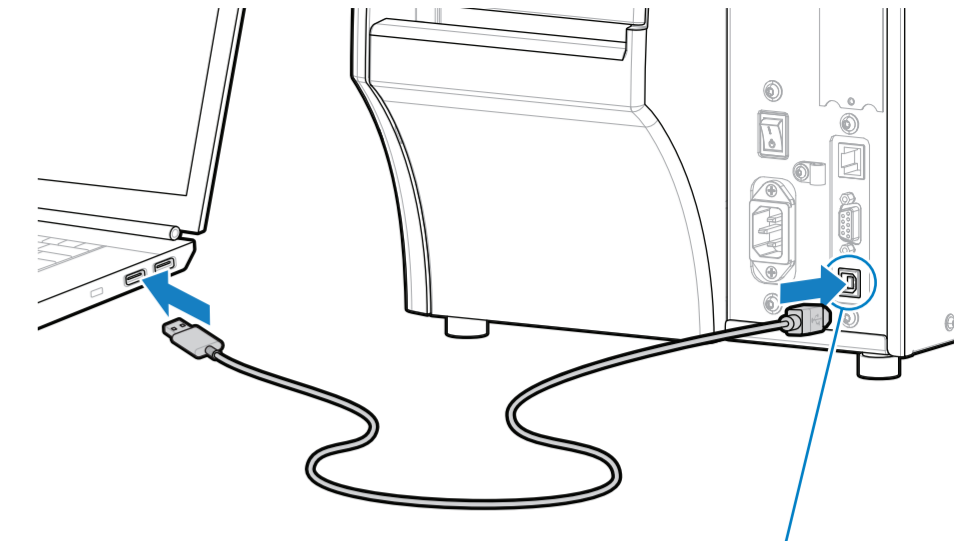
### 2 Remove the Printer from the Box



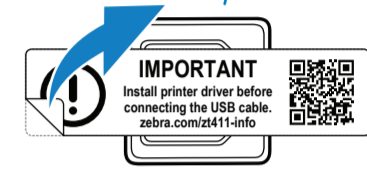
Verify that you have the items shown.

Save the box and packaging materials in case you need to store or ship your printer in the future.

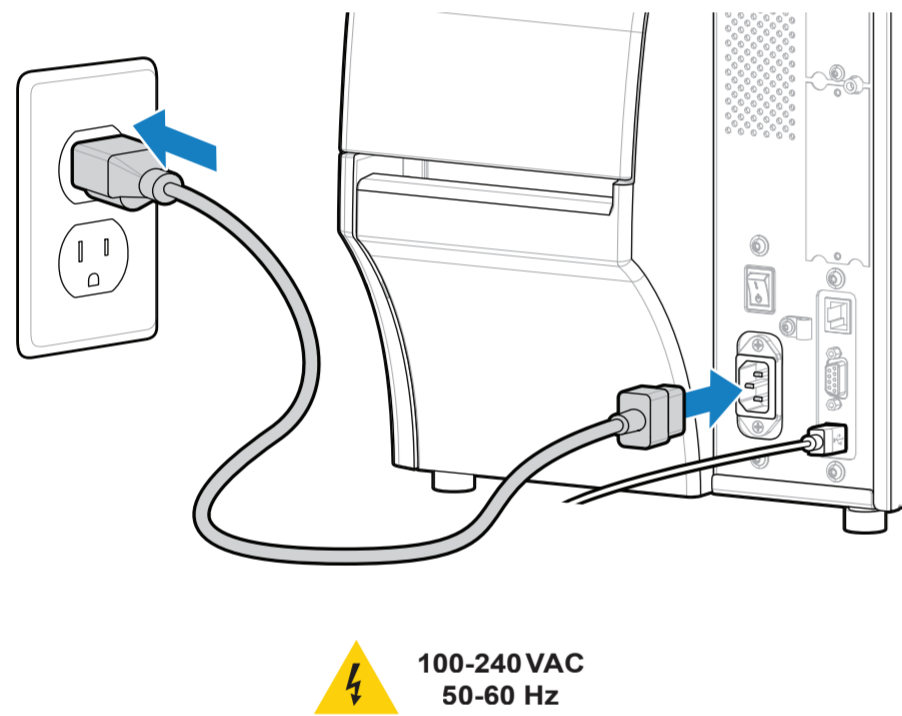
### 3 Connect the USB Cable



Remove the port blocker label. Connect the USB cable to the printer and your computer.

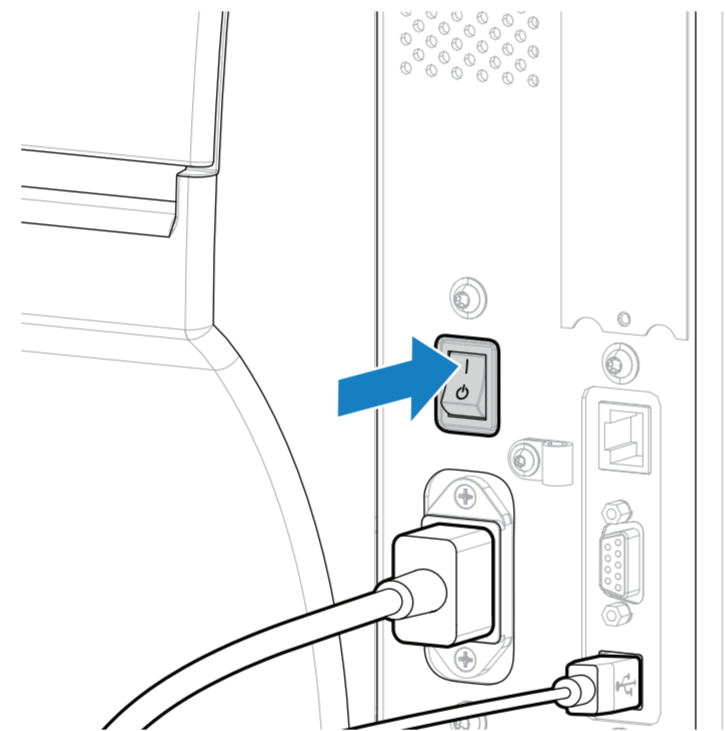


### 4 Plug the Printer into an Electrical Outlet

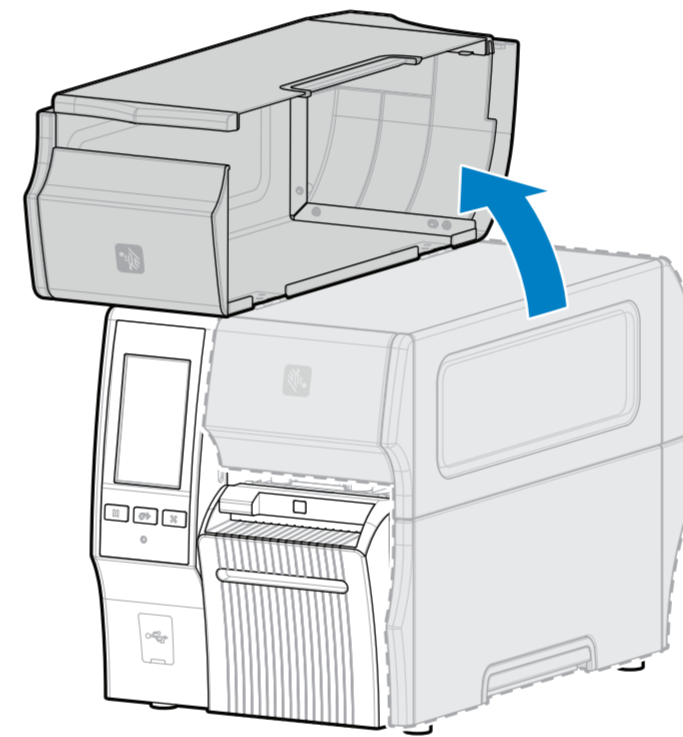


**100-240 VAC**  
**50-60 Hz**

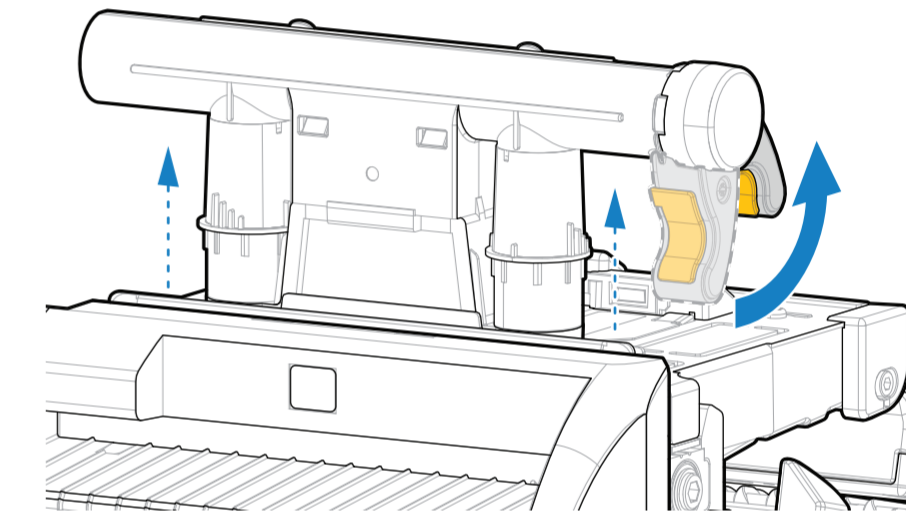
### 5 Turn on the Printer Power



### 6 Load Media



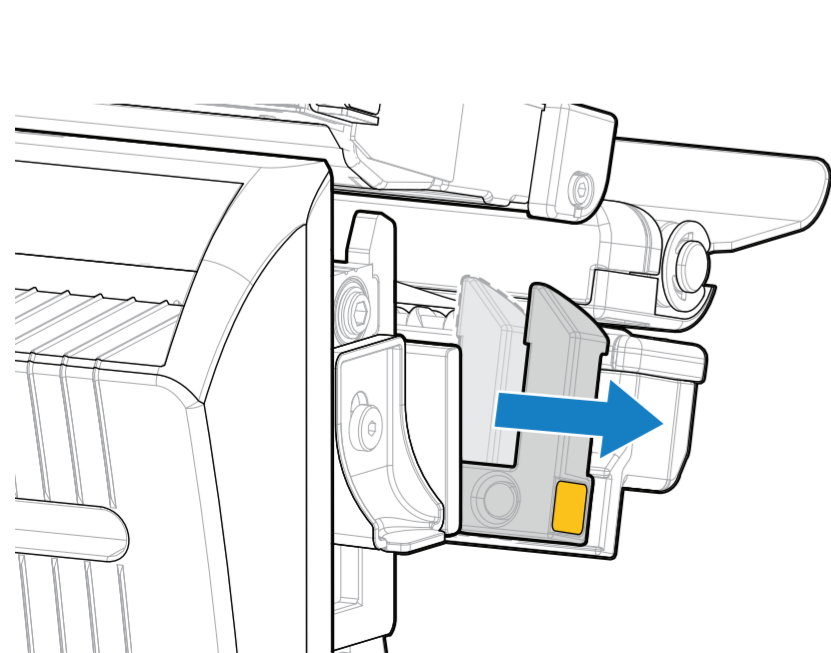
1. Open the media cover.



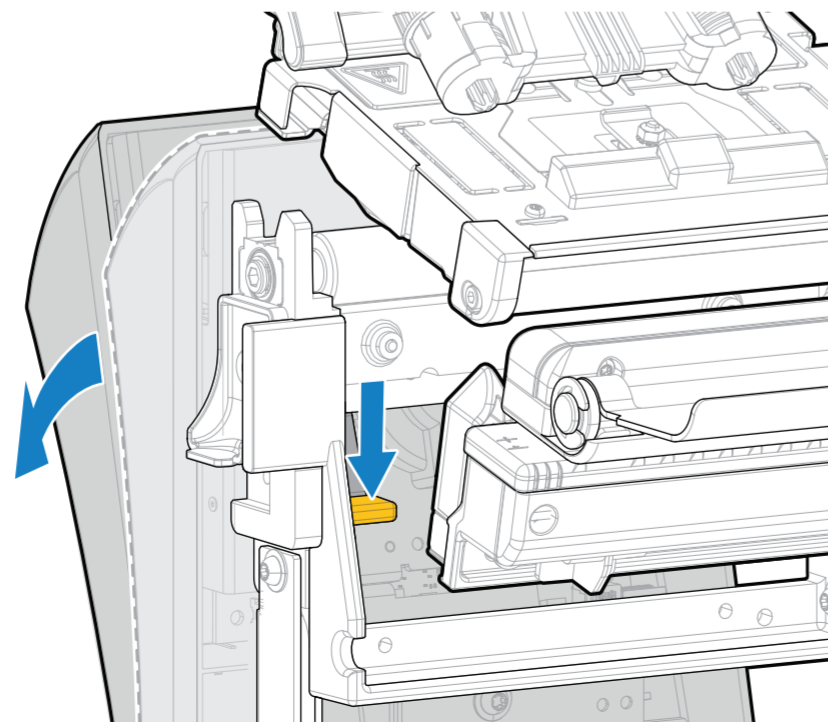
**CAUTION – HOT SURFACE:** The printhead may be hot and could cause severe burns. Allow the printhead to cool.

2. Release the printhead assembly.

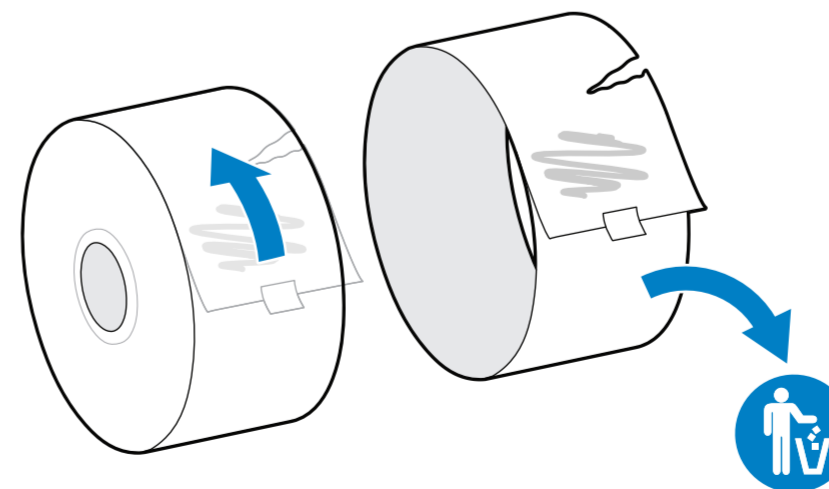
### 6 Load Media (continued)



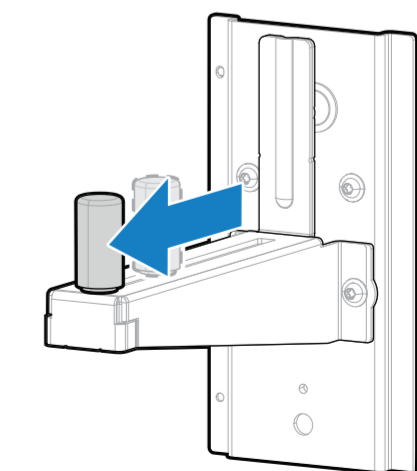
3. Slide the media guide all the way out.



4. Press down on the cutter release lever, and then pivot the cutter forward.



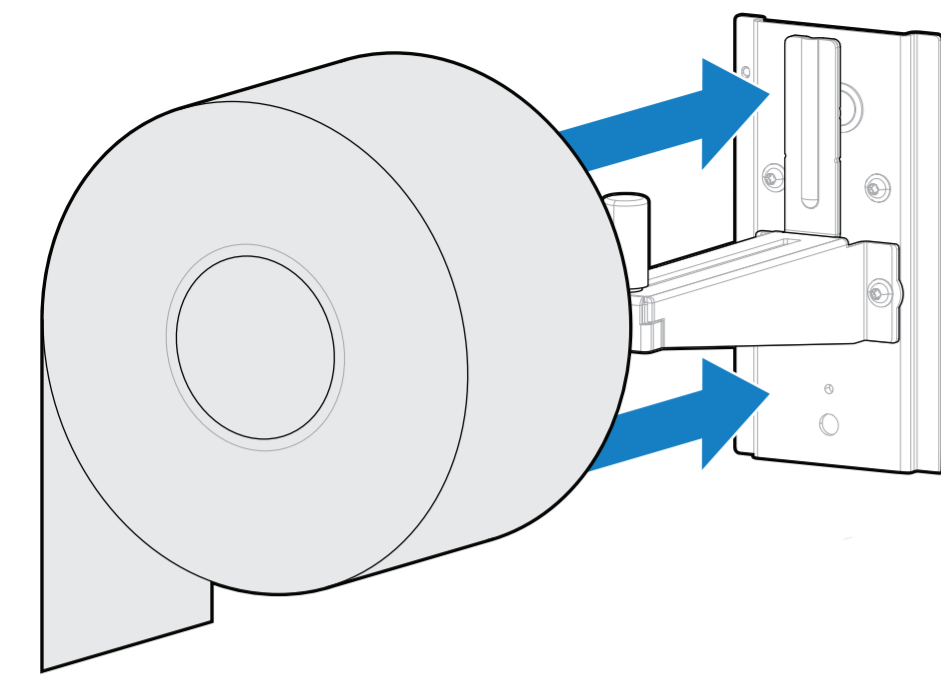
5. Remove and discard any dirty or torn labels.



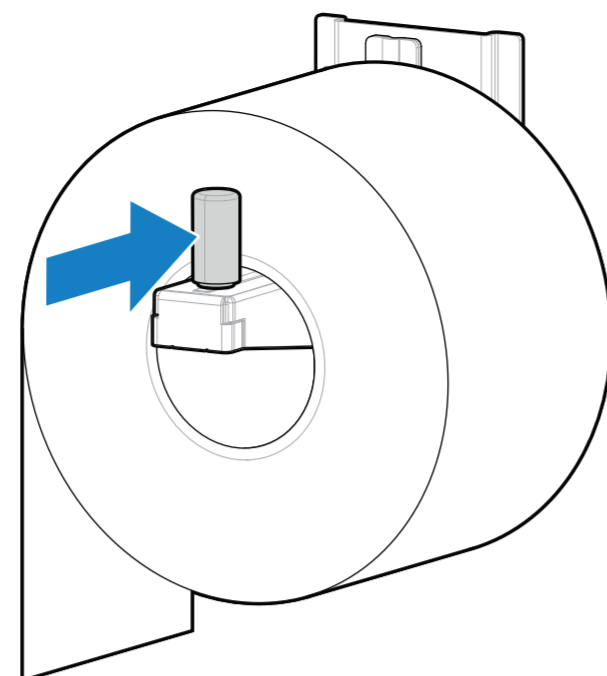
6. Pull out the media supply guide as far as it goes.



6 Load Media (continued)

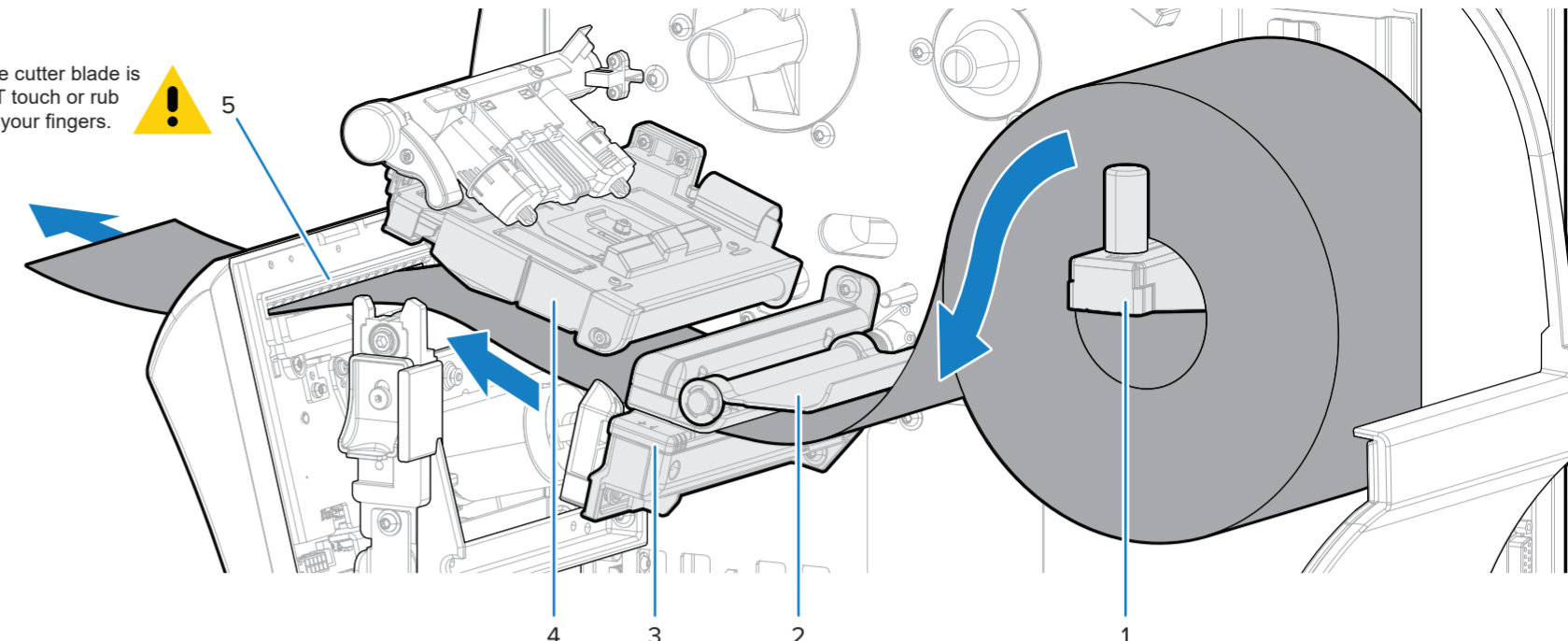


7. Place the roll of media on the media supply hanger. Push the roll as far back as it will go.



8. Slide in the media supply guide until it touches the edge of the roll.

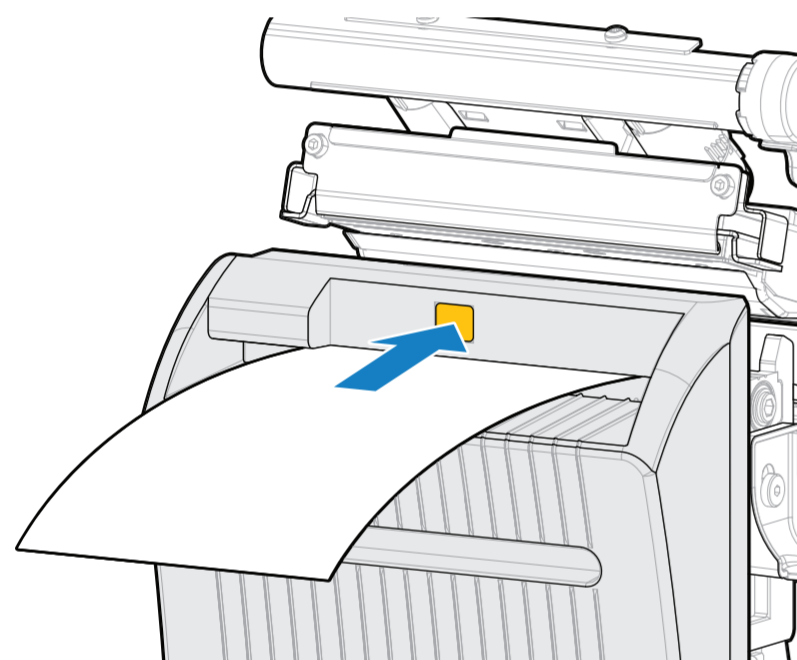
CAUTION: The cutter blade is sharp. Do NOT touch or rub the blade with your fingers.



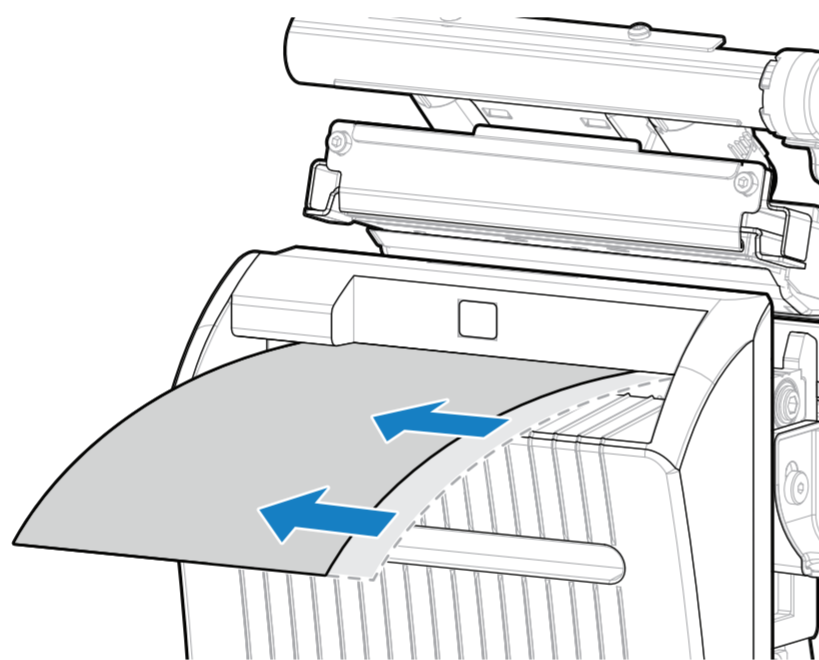
9. Load the media as shown.

From the media hanger (1), feed the media under the dancer assembly (2), through the media sensor (3), and under the printhead assembly (4). The media should just touch the back of the media sensor slot. Feed the media through the cutter (5).

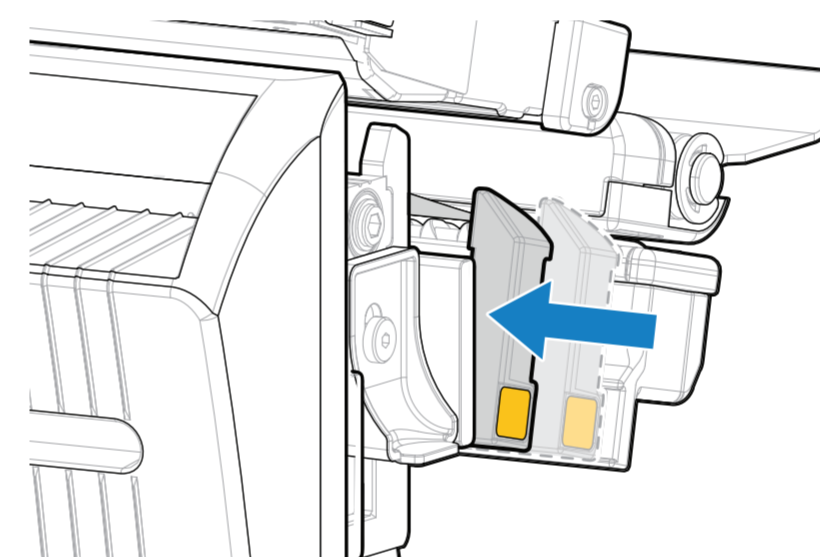
6 Load Media (continued)



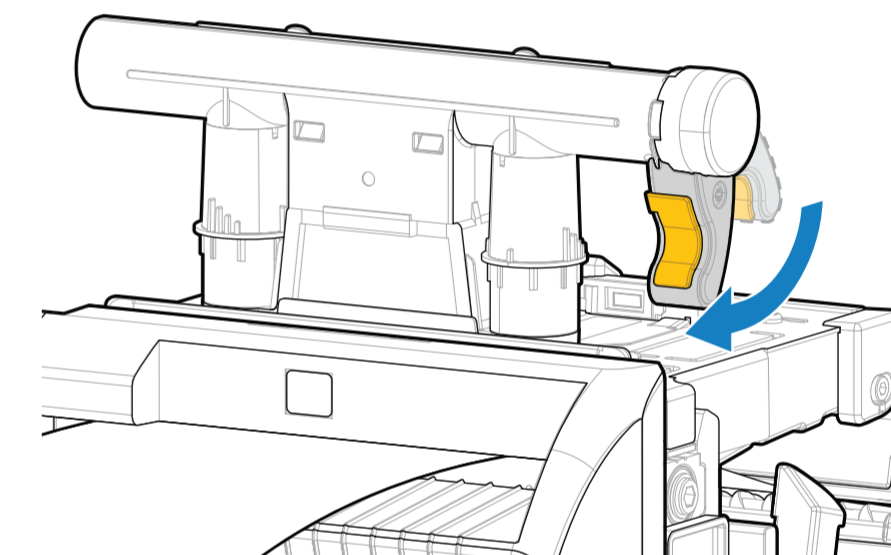
10. Pivot the cutter back, and then apply pressure to the gold square on the front of the cutter to secure the cutter back into place.



11. To ensure that the cutter sensor can detect the media, slide the media as far to the left as possible in the cutter.

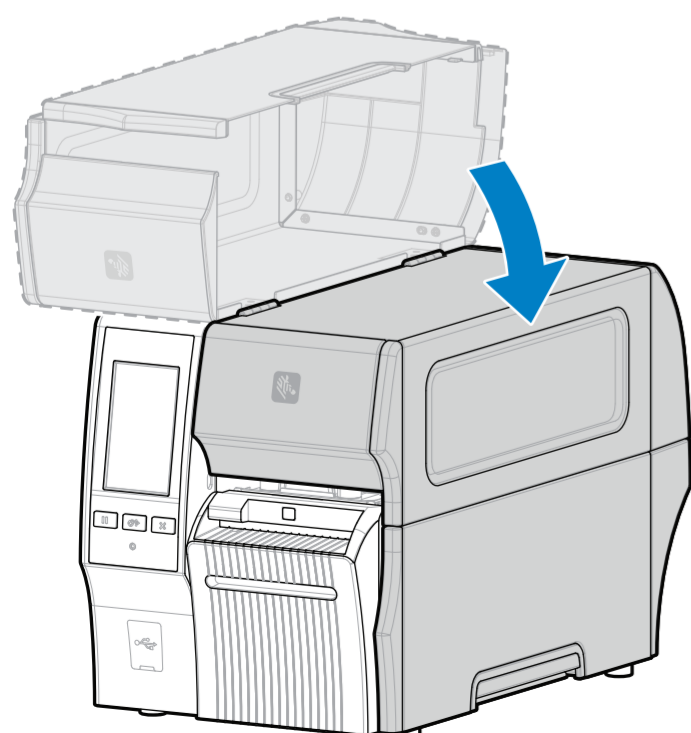


12. Slide in the media guide until it just touches the edge of the media.



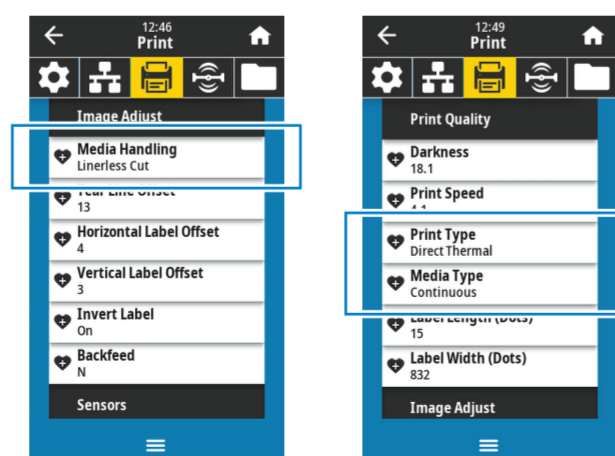
13. Close the printhead assembly.

6 Load Media (continued)

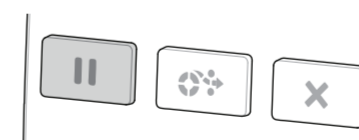


14. Close the media cover.

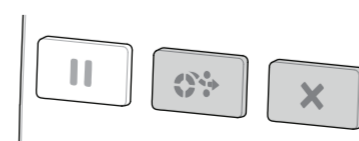
7 Prepare for Printing



1. Set the printer to **Linerless Cut** mode by touching **Menu > Print > Image Adjust > Media Handling**.
2. Set the printer to **Direct Thermal** mode by touching **Menu > Print > Print Quality > Print Type**.
3. Set the printer to **Continuous** mode by touching **Menu > Print > Print Quality > Media Type**.



2. Press **PAUSE** to exit pause mode and enable printing. The printer may perform a label calibration or feed a label, depending on your settings.



3. Verify that your printer is able to print a configuration label by holding both **FEED** and **CANCEL** for 2 seconds.

Support and information

		View user documentation and how-to videos. <a href="http://zebra.com/z1411-info">zebra.com/z1411-info</a>			View Quick Answers and Knowledge Base. <a href="http://zebra.com/knowledge">zebra.com/knowledge</a>	
		Need to design a label? <a href="http://zebra.com/zebradesigner">zebra.com/zebradesigner</a>			Join Community Connection of Zebra users and ambassadors. <a href="http://zebra.com/supportcommunity">zebra.com/supportcommunity</a>	
		Learn about genuine Zebra supplies. <a href="http://zebra.com/supplies">zebra.com/supplies</a>			Contact Zebra about your printer. <a href="http://zebra.com/contact">zebra.com/contact</a>	
		Need to manage your printer? <a href="http://zebra.com/profilemanager">zebra.com/profilemanager</a>			Need to secure your printer? <a href="http://zebra.com/printsecure">zebra.com/printsecure</a>	

