

FXP20 POS RFID Reader



ZEBRA

Quick Start Guide

2023/11/21

ZEBRA and the stylized Zebra head are trademarks of Zebra Technologies Corporation, registered in many jurisdictions worldwide. All other trademarks are the property of their respective owners. ©2023 Zebra Technologies Corporation and/or its affiliates. All rights reserved.

Information in this document is subject to change without notice. The software described in this document is furnished under a license agreement or nondisclosure agreement. The software may be used or copied only in accordance with the terms of those agreements.

For further information regarding legal and proprietary statements, please go to:

SOFTWARE: zebra.com/linkoslegal.

COPYRIGHTS: zebra.com/copyright.

PATENTS: ip.zebra.com.

WARRANTY: zebra.com/warranty.

END USER LICENSE AGREEMENT: zebra.com/eula.

Terms of Use

Proprietary Statement

This manual contains proprietary information of Zebra Technologies Corporation and its subsidiaries ("Zebra Technologies"). It is intended solely for the information and use of parties operating and maintaining the equipment described herein. Such proprietary information may not be used, reproduced, or disclosed to any other parties for any other purpose without the express, written permission of Zebra Technologies.

Product Improvements

Continuous improvement of products is a policy of Zebra Technologies. All specifications and designs are subject to change without notice.

Liability Disclaimer

Zebra Technologies takes steps to ensure that its published Engineering specifications and manuals are correct; however, errors do occur. Zebra Technologies reserves the right to correct any such errors and disclaims liability resulting therefrom.

Limitation of Liability

In no event shall Zebra Technologies or anyone else involved in the creation, production, or delivery of the accompanying product (including hardware and software) be liable for any damages whatsoever (including, without limitation, consequential damages including loss of business profits, business interruption, or loss of business information) arising out of the use of, the results of use of, or inability to use such product, even if Zebra Technologies has been advised of the possibility of such damages. Some jurisdictions do not allow the exclusion or limitation of incidental or consequential damages, so the above limitation or exclusion may not apply to you.

Introduction

The FXP20 POS RFID Reader is intended for use in a retail environment to scan RFID-tagged items by moving them over the reader during checkout.



See Also

zebra.com/fxp20-info

Installing the Reader in a Point of Sale (POS) Counter

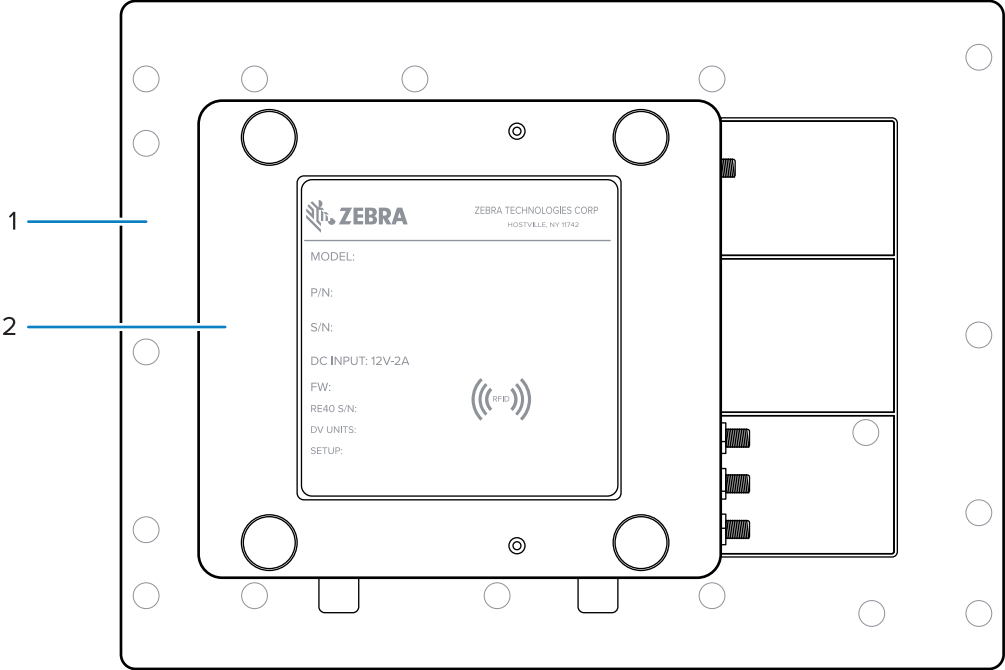
Install the reader in the point of sale counter before connecting cables or the power supply.

1. If necessary, remove the old reader by unplugging the power supply from the electrical outlet. Then disconnect the USB cable and antenna cables from the old reader.

2. Place the new reader in the point of sale counter.



NOTE: Depending on the configuration at your location, the reader may require use of the adapter plate (included). Refer to the instructions in this guide to remove or attach the adapter plate as needed.

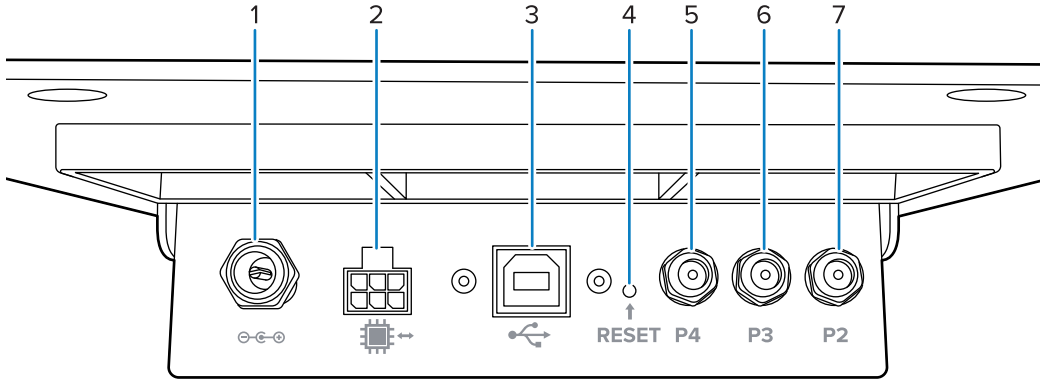


1	Adapter plate
2	FXP20 POS RFID Reader (reader)

3. Connect the cables and then the power supply. Refer to the instructions in this guide.

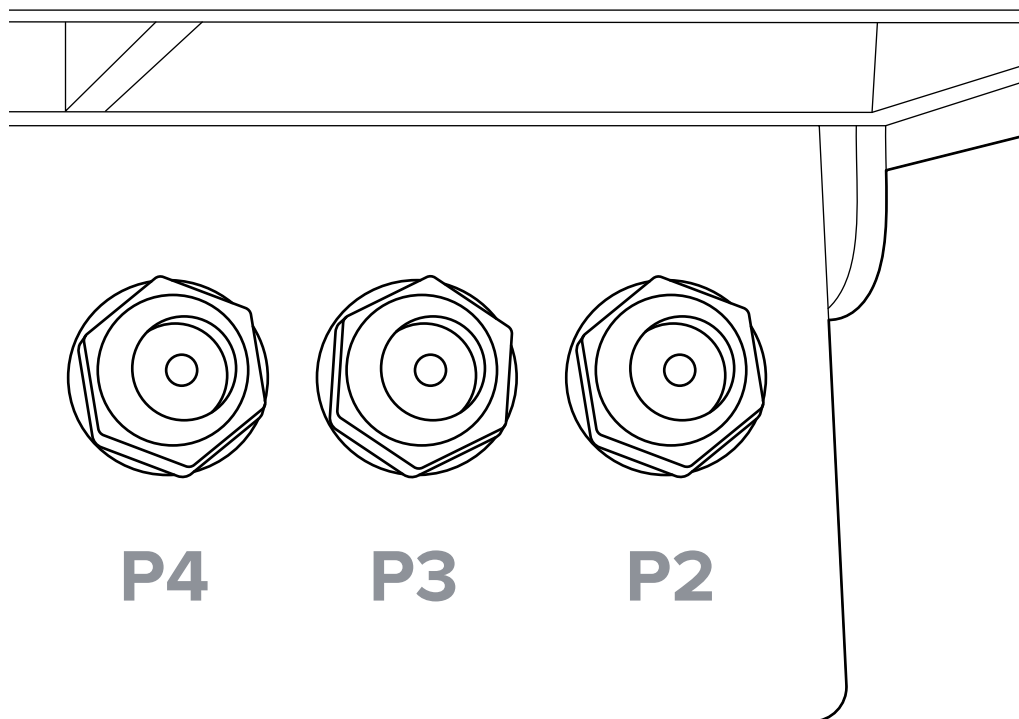
Connecting the Cables and Power Supply

Connect the antennas and any other cables before connecting the power supply.



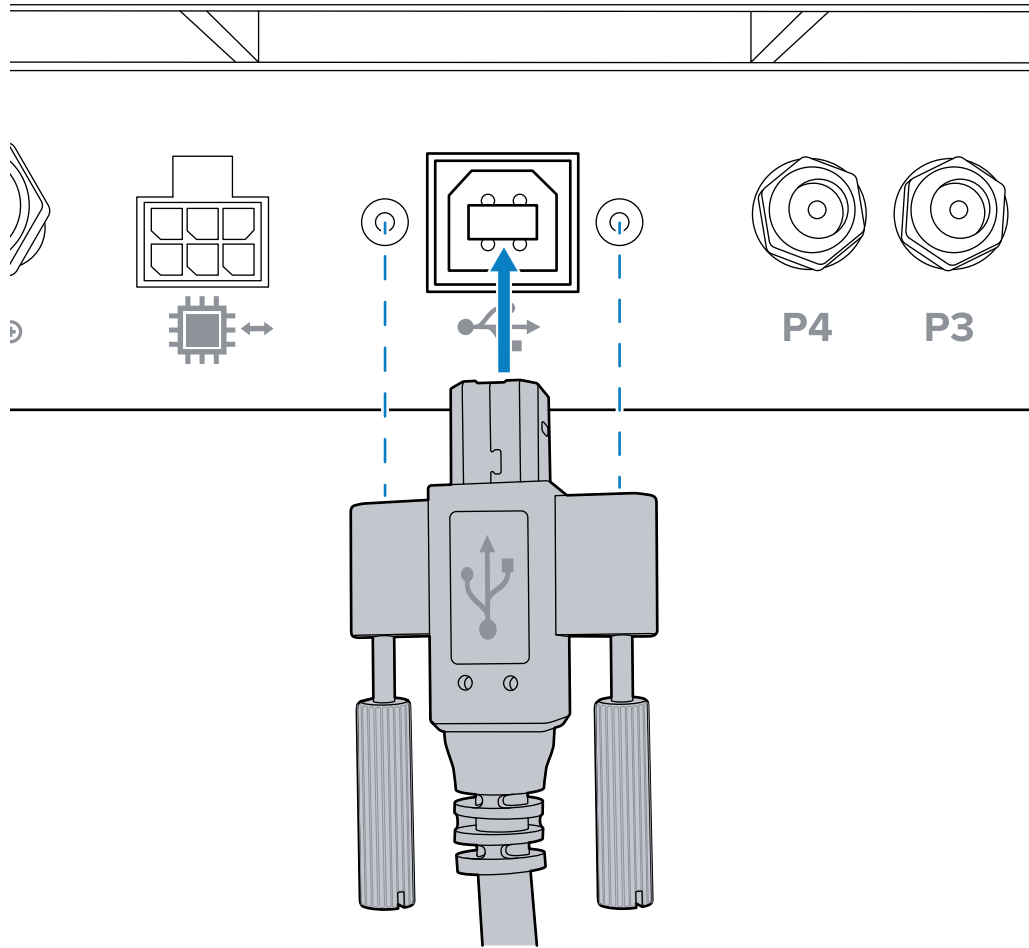
1	DC Power
2	GPIO (Cable not Included)
3	USB
4	Reset Button
5	P4 (Not used)
6	P3 External Antenna (Cable not included)
7	P2 External Antenna (Cable not included)

1. Attach the antenna cables and then torque to tighten.

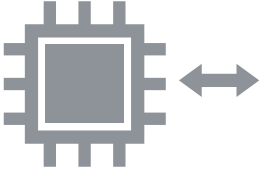
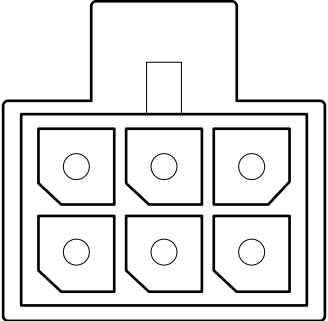


- a) Attach an external antenna cable to P3.
- b) Attach the other external antenna cable to P2.
- c) Torque to 3–5 in·lbf (0.3 to 0.6 N·m) for brass connectors, and 7–10 in·lbf (0.8 to 1.1 N·m) for stainless steel connectors.

2. Connect the USB cable and retaining screws to the reader and turn both retaining screws clockwise until tight.



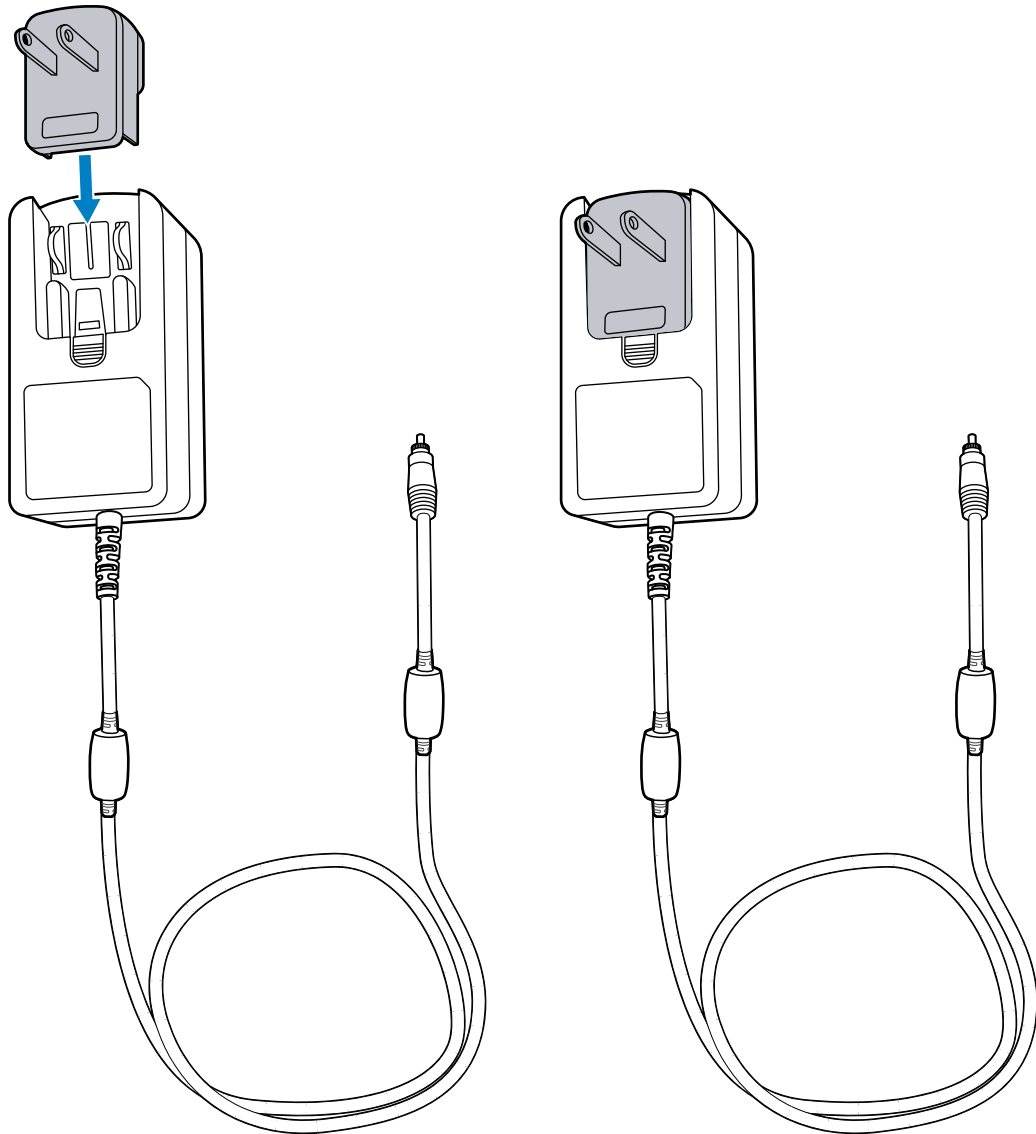
3. (Optional) Connect a GPIO cable.



4. Prepare the power supply as necessary.



NOTE: The following is an example, use the power supply adapter applicable to your region.



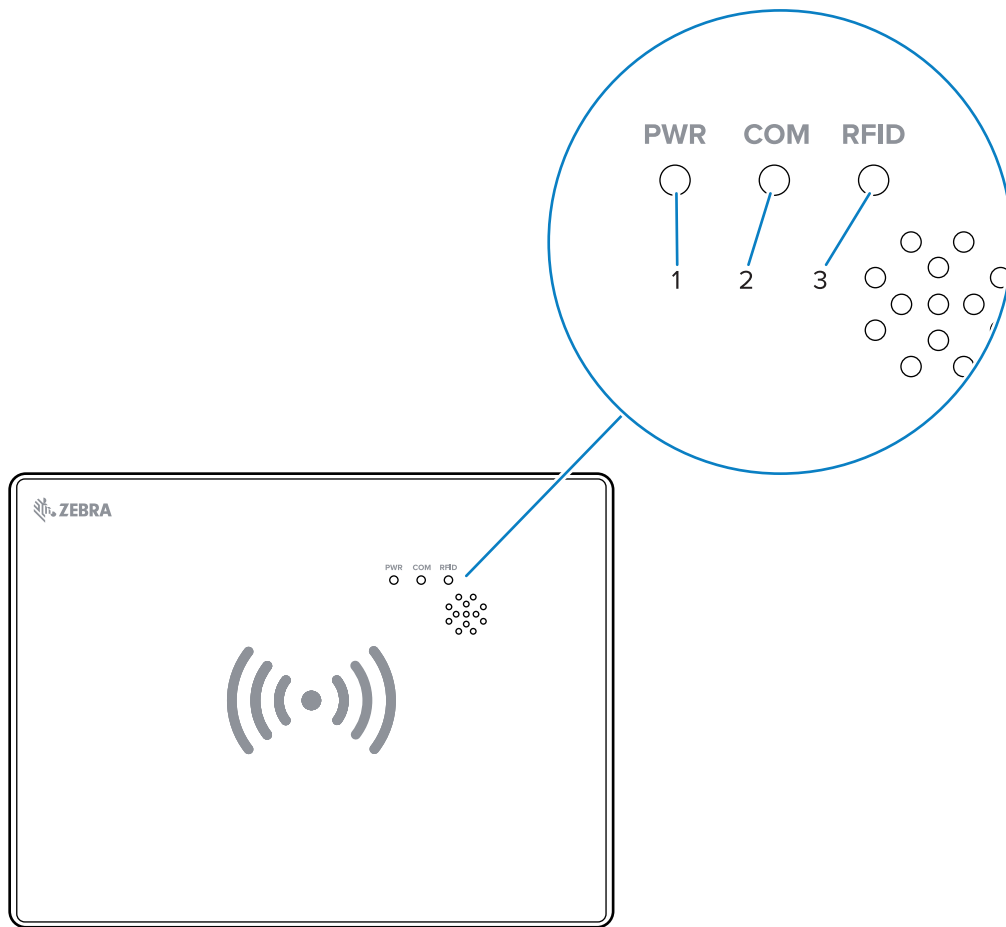
5. Attach the power supply to the reader and turn the locking ring on the power cord clockwise until tight.

6. Plug the DC power supply into the electrical outlet provided for this purpose.

The LEDs on the device begin to illuminate.

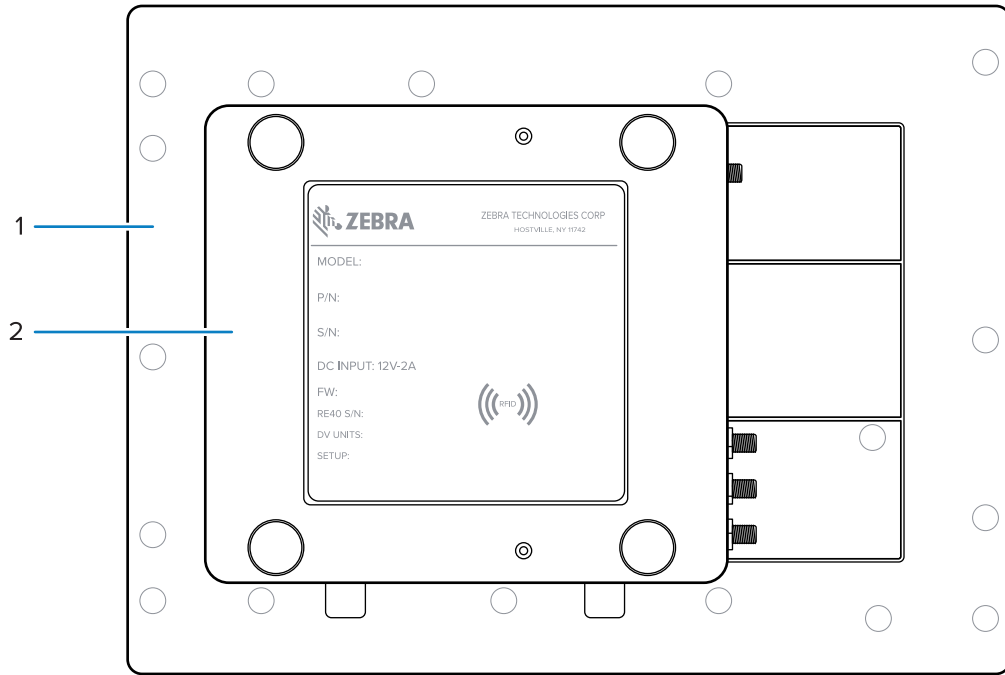
Status LEDs

The reader's LEDs indicate its operating status.



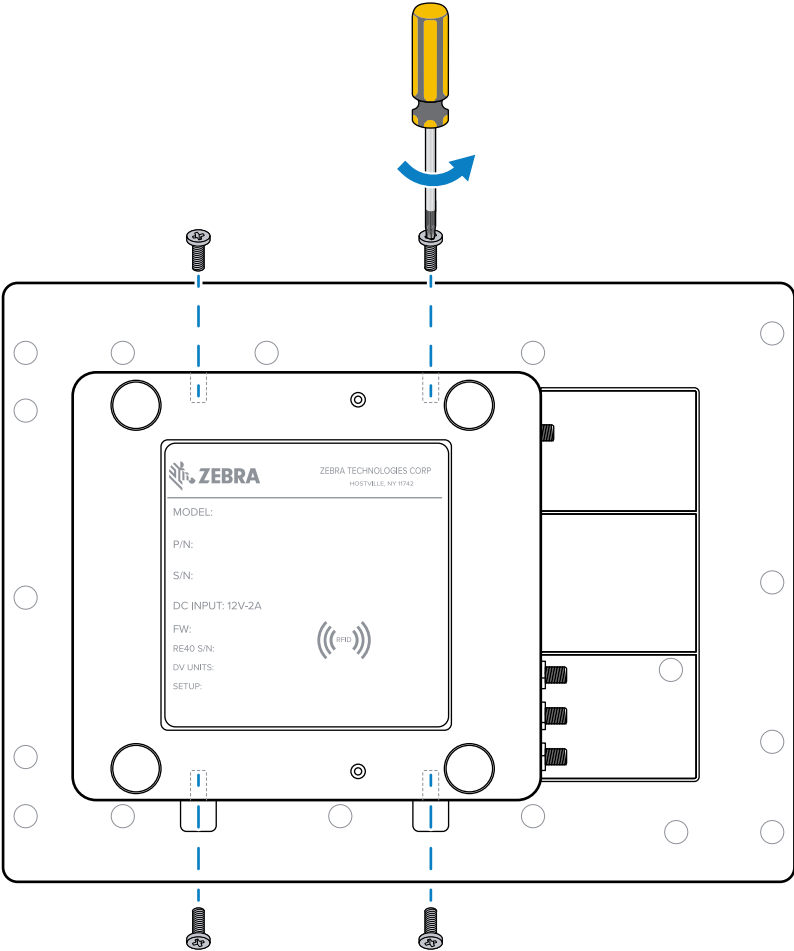
1	PWR	Green	<ul style="list-style-type: none"> • Solid green: ready to read RFID tags • Blinking quickly: only the USB cable is connected • Blinking slowly: only the power supply is connected • Off: no power
2	COM	Orange	<ul style="list-style-type: none"> • Blinking: one blink per RFID tag detected • Off: RFID tag not detected
3	RFID	Blue	<ul style="list-style-type: none"> • Blinking quickly: reading RFID tag(s) • Blinking slowly: POS/client is connected but not reading RFID tags • Off: POS/client is not connected

Removing the Adapter Plate



1	Adapter plate
2	FXP20 POS RFID Reader

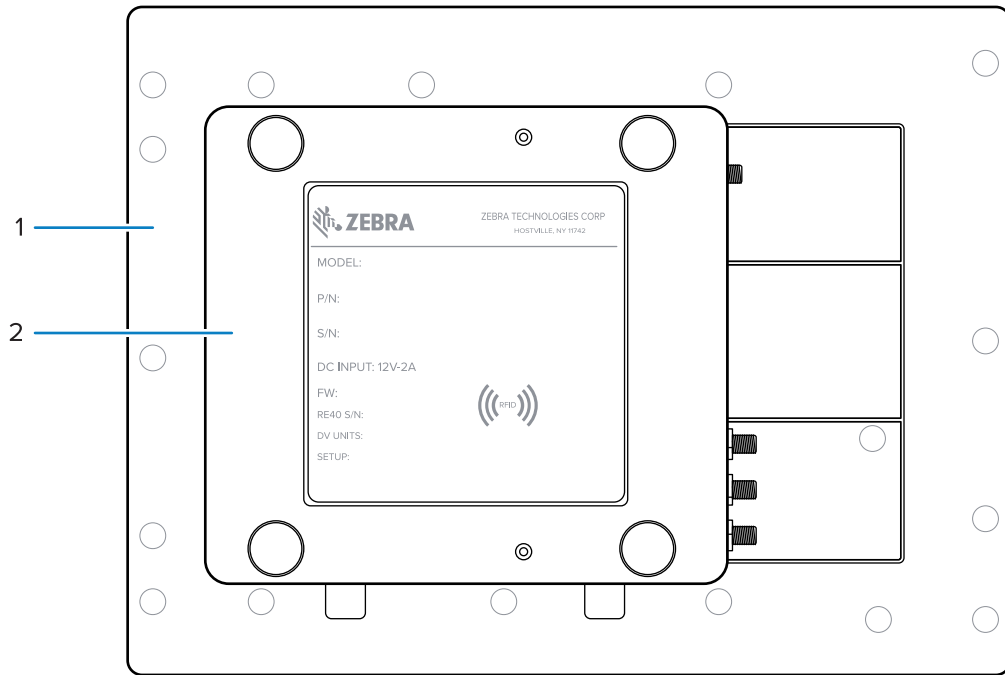
1. Hold a 1.5 mm hex driver firmly in place and turn it counterclockwise to remove the four screws.



- 2. Save the screws in case you ever need to reattach the adapter plate to the reader.
- 3. Carefully lift the device off of the adapter plate.

Attaching the Adapter Plate

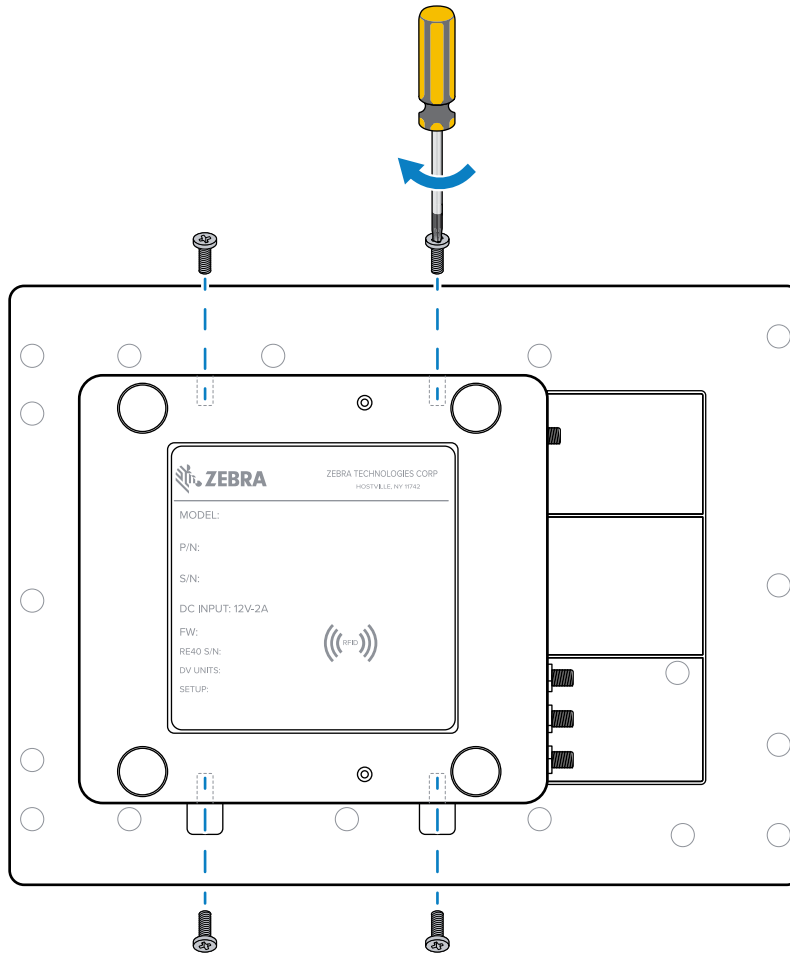
Use a 1.5 mm hex driver to attach the adapter plate to the reader, if needed.



1	Adapter plate
2	FXP20 POS RFID Reader

1. Find the four screws needed to attach the adapter plate to the reader.

2. Carefully place the reader onto the adapter plate, aligning the threaded holes.



3. Use a 1.5 mm hex driver and turn clockwise to attach and tighten the four screws.

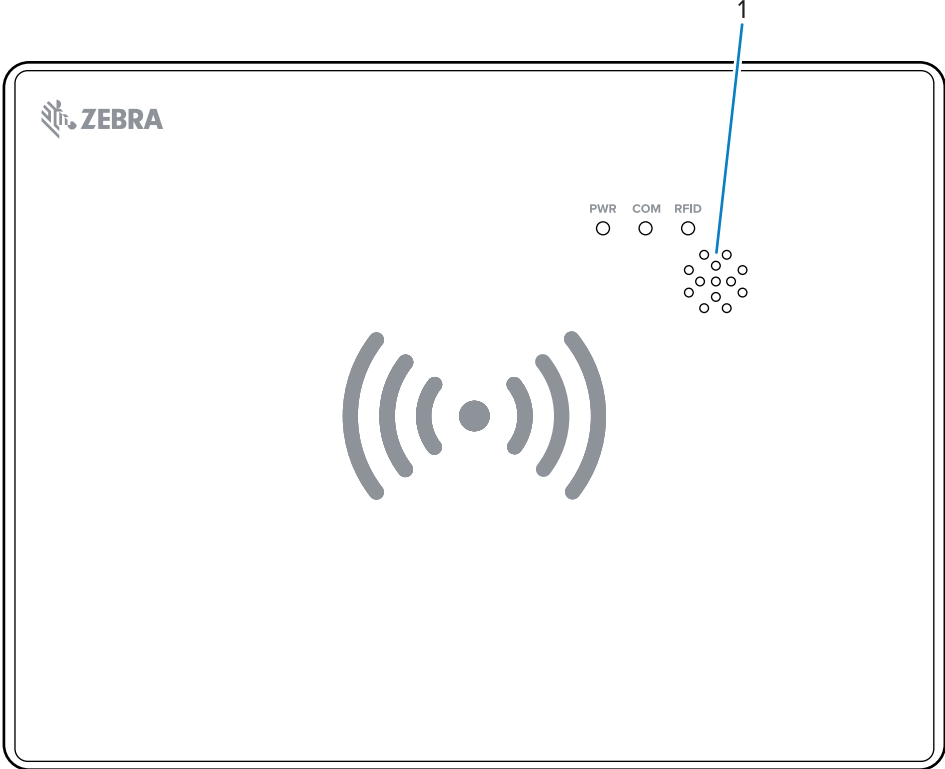
Cleaning Instructions

Use approved cleansers and a soft cloth to clean the reader or adapter plate.

Approved cleanser active ingredients: 100% of the active ingredients in any cleaner must consist of one or some combination of the following: 99.7% isopropyl alcohol, hydrogen peroxide, and mild dish soap.



IMPORTANT: Do not apply liquid directly to the reader. Avoid getting liquid in the speaker holes of the reader or adapter plate (1).



Lightly dampen a soft cloth and gently wipe the reader. Allow to dry before use.

